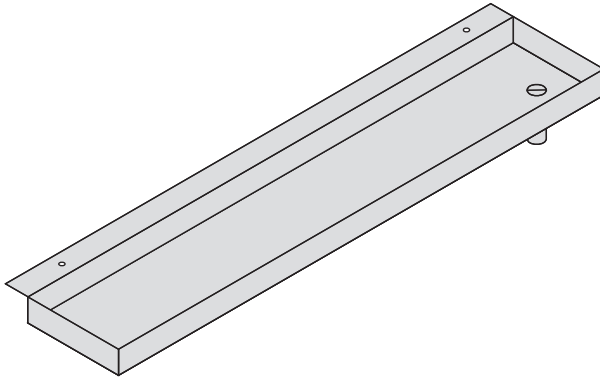


**Supplied by:  
Total Lab Solutions  
480.488.6421**

**Pegboard Accessories  
Under Mount Application**

**Stainless Steel Drip Troughs**



**Features**

- All stainless steel construction
- Made from 20 gauge material
- Type 304 stainless steel, #4 finish
- 3/4" mounting flange
- 1" deep trough

**Model Number**

**Dimension**

**Shipping  
Wt.**

HDT-18-2	18" x 2"	2 Lbs
HDT-18-4	18" x 4"	2 lbs.
HDT-20-2	20" x 2"	2 lbs.
HDT-20-4	20" x 4"	2 Lbs.
HDT-24-2	24" x 2"	3 Lbs.
HDT-24-4	24" x 4"	3 Lbs.
HDT-30-2	30" x 2"	4:bs.
HDT-30-4	30" x 4"	4 lbs.
HDT-32-2	32" x 2"	4 lbs.
HDT-32-4	32" x 4"	4 Lbs.
HDT-36-2	36" x 2"	4 Lbs.
HDT-36-4	36" x 4"	4 Lbs.
HDT-42-2	42" x 2"	5 Lbs.
HDT-42-4	42" x 4"	5 Lbs.
HDT-48-2	48" x 2"	5 Lbs.
HDT-48-4	48" x 4"	5 Lbs
HDT-60-2	60" x 2"	6 Lbs.
HDT-60-4	60" x 4"	6 Lbs.